



Tangella King, Directing Principal

W.C. Giese Elementary School
5120 Byrd Ave, Racine, WI 53406
PH# 1(262) 664-8250

The Cheetah Chatter

Volume 53 Number 1

September, 2018

Dear Giese Families,

I'd like to welcome you all to the 2018-2019 school year. We have been preparing for your child's return for weeks and we are excited to embark on what we know will be a fantastic year. But first things first, I'd like to introduce myself to you all. My name is Tangella King and I am the Directing Principal for Giese. This is my 5th year as a Directing Principal and the beginning of my 22nd year as an educator. I bring to the Giese Community a wealth of experience, a passion for the students I serve, and grit that just won't quit. As we all know, in order to be successful in school, our children need support from both the home and school. We know a strong partnership with you will make a great difference in your child's education. As partners, we share the responsibility for our children's success and want you to know that we will do our very best to carry out our responsibilities. We ask that you guide and support your child's learning by ensuring that he/she:

- 1) **Attends school daily and arrives on time, ready for the day's learning experience**
- 2) **Complete all assignments given by teachers to the best of their abilities**
- 3) **Do his or her part to keep our school safe.**
- 6) **Know that you expect him/her to succeed in school and go on to pursue prosperity.**

Giese students will continue to use the Origo Curriculum for Math and Lucy Calkins Reader's Workshop for Reading/ELA. This school year will also bring about some exciting changes. We have several new teachers, we've also added an additional full day 4K, a new kindergarten program, and so much more. An important change I'd like to make you aware of is our work to improve the culture and climate at Giese School. There are many layers to restructuring our culture and climate and at the root is PBIS. PBIS is an acronym for Positive Behavior Interventions and Support and we are committed to implementing the foundations of PBIS which make for a safe environment for students to learn. You will undoubtedly hear your student talking about PBIS. If you are interesting in pursuing a greater supporting role please consider volunteering. We seek volunteers to help us with the following activities:

- 1) **Recess support**
- 2) **Lunchroom Support**
- 3) **School-wide events (PBIS Monthly Incentives, Assembly)**
- 4) **Field Trips**
- 5) **Outreach and recruitment of parent and community volunteers**
- 6) **PTA**

Creating a safe environment will also mean changing to some of our norms. Though it may seem uncomfortable at first, over time I think you will agree these changes will, in fact, positively impact the safety of our learning environment. **Please note these changes are for the safety of our students.** Our start time will remain the same. Students are invited in at 7:50 for breakfast.

~~Students MUST enter the school through their outside classroom doors. Instruction begins at 8:00 am. Students who arrive after 8:05 am will be marked tardy and must enter through the front doors.~~

Excessive tardies will lead to state monitored truancy violations. If your child will be eating breakfast please have them at Giese at 7:50am. This year dismissal is at **2:51 pm**. Students will be dismissed from their **outside classroom doors**. Please note: Students who are being picked up for an early dismissal will need to be picked up by 2:35. Be mindful that end of day activities for young students can be very hectic. Kiddos and teachers are getting packed, getting dressed, taking those last minute bathroom breaks, completing behavior charts, and so on, and so on. After 2:35, we will not call students to the office for early dismissal. We will do our due diligence to unite students and parents in cases of emergency which occur past 2:35. In addition, students will not be called to the office prior to the parent's arrival. Finally, we are asking that parents wait for students outside of classroom doors. Parents are invited to wait in the front vestibule during incimate weather should you arrive prior to the dismissal bell. Please refrain from reporting directly to the classroom during the dismissal procedures. If you should have any questions or concerns please do not hesitate to call. This year's Theme is *"Every Moment Counts"*. So families, let's align our efforts to make every moment of this school year count!



IMPORTANT EMERGENCY CARD INFORMATION

It is very important that reach and every Giese Family update their Parent Portal account on the rusd.org website. We no longer have paper copies of emergency numbers, and all information must be entered online.

We need emergency contact numbers of who we can get ahold of you if your child is ill or not picked up after school at the end of the day. Please make sure that we have phone numbers for someone to contact in case of emergency. If you have not set up your Parent Portal yet, you must first pick up your child's activation code from the office in order to set this account up on the Parent Portal. Please bring a photo ID to school to pick up this code. If you do not have computer access at home please come to school and we can help you get online here. PLEASE DO THIS AS SOON AS POSSIBLE.

FEE SCHEDULE for CONSUMABLE FEES

Consumable Materials & Supplies: 4K	\$22.00 per year
Consumable Materials & Supplies: K-5	\$40.00 per year

In order to have your fees waived, you must fill out the "Sharing information with other programs" form enclosed in the free lunch application.



HELP WANTED

School Food Service

No nights, weekends or holidays!

Aramark, the new food service provider for Racine Unified, is looking for very special associates. We are looking for the kind of people who enjoy being around children and are interested in part time hours on the days that schools are in session. Shifts vary from 2 to 7 hours per day.

If this sounds like a good opportunity for you, please go to Aramark.com/careers and search Racine Unified to view all open positions and apply.

We look forward to meeting you.

EOE M/F/D/V

**Are you looking for part-time hours?
Are you available Mornings and Afternoons?
Are you looking to get out of the house for a few hours
and get paid?
Do you like Children of all ages?**

**Then we want to talk to you!!!
We are searching for RESPONSIBLE people
to be trained as**

Crossing-Guards for the City of Racine.

Various hours and locations.

**If you are interested – please apply at
[City of Racine.org](http://CityofRacine.org)**



**City of Racine – Police Department
730 Center Street, Racine, WI 53403
262-635-7750**





**RACINE UNIFIED SCHOOL DISTRICT
ANNUAL ASBESTOS NOTIFICATION
2018-2019 SCHOOL YEAR**

Under AHERA (Asbestos Hazard Emergency Response Act), all primary and secondary schools are required to develop and implement a plan for managing all building materials which contain asbestos. Included in the AHERA Act is the requirement to annually notify all workers and building occupants (or their guardians) of asbestos-related activities.

Beginning in 1988, all buildings owned, leased, or "under the control of" the School District were inspected by EPA accredited inspectors, with building material samples analyzed by an independent laboratory. Based on the inspection, the School District prepared and the state approved a comprehensive management plan for managing the asbestos.

Where the asbestos-containing materials are found, the District has in place an Operations and Maintenance program.

The District has accomplished the following compliance mandates regarding the administration of asbestos in school buildings:

- Environmental Management Consulting, Inc. (EMC) was contracted to be the school's consultant for asbestos for the school year.
- The District is continuing with the Operations and Maintenance Program as designed for the School District. This ensures that all asbestos materials are kept in good condition.
- Periodic "surveillance" in each area containing asbestos has been completed every six months by our consultant. Also, the buildings are re-inspected by an accredited inspector every three years.
- In the past year the District conducted Asbestos removal activities in the following schools: Gilmore, Fratt, Mitchell, CPC, Wadewitz, Horlick, Park

All outside contractors shall contact the lead maintenance person before commencing work. Our goal at the District is to be in full compliance with asbestos regulations.

A copy of the Asbestos Management Plan is available for review by contacting the District Office. Questions related to this plan or any other asbestos concerns should be directed to the District's Designated Person. Robert F. Tajnai 1-262-497-7100



**Racine Unified School District's
TITLE I PARENT ACADEMY**

**BACK^{TO}
SCHOOL
KICKOFF**

Families, get your child ready for a successful start of the school year!

**Each child will receive a back to school gift
when they visit five of the following areas:**

**Racine Public Library card sign-up • RUSD Infinite Campus
School Meal Applications • Family Engagement Opportunities
After School Programs • Enrollment • Student Fees • and more!**

Also, sign up for George Bray YMCA programs for Grades 2-12

Tuesday, September 11 5-8 PM
George Bray Neighborhood YMCA 924 Center St.

To register, call 262.898.4757
The first 100 families to register will receive a food gift!

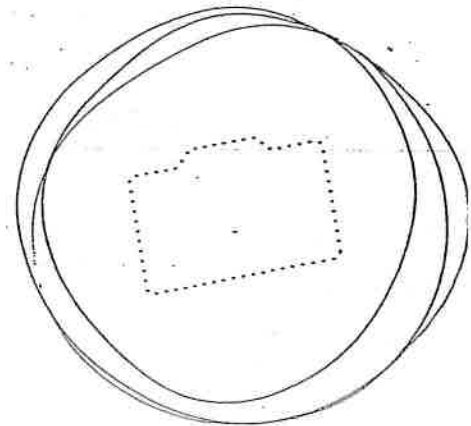
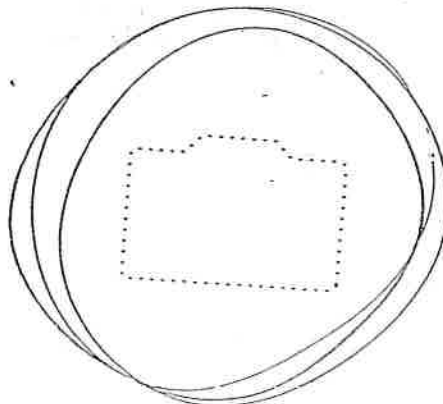
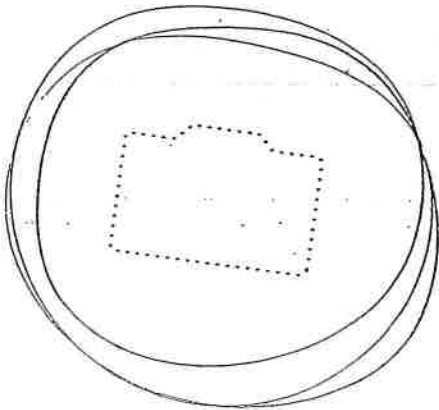
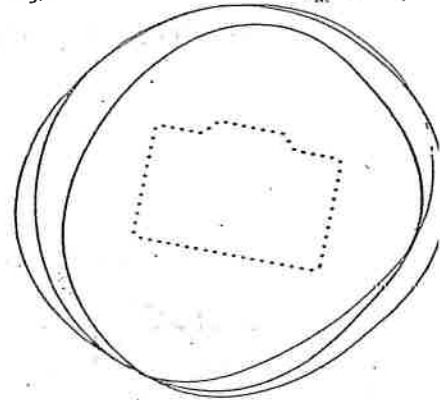
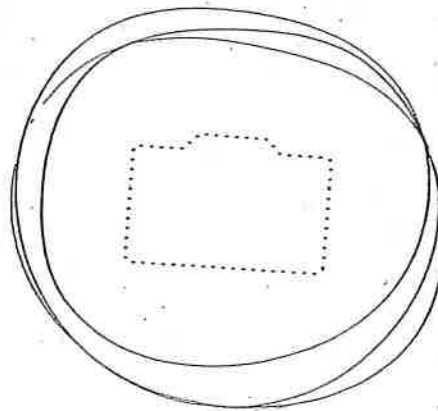
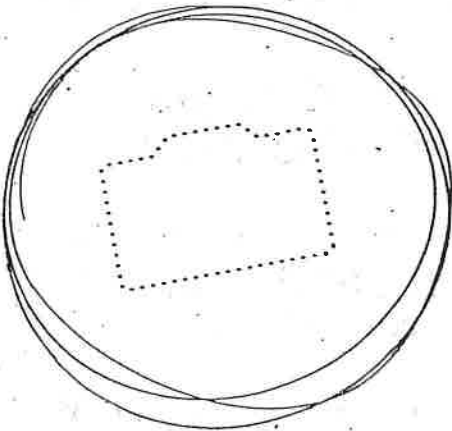
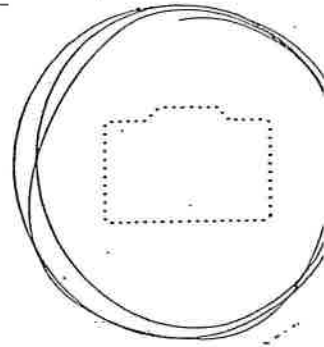
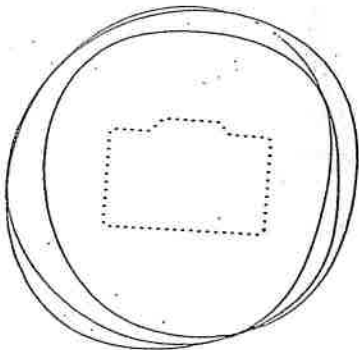
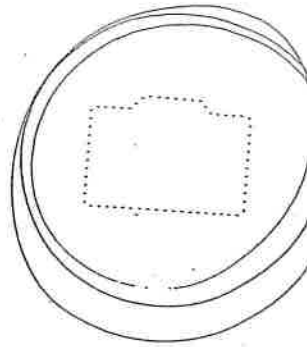
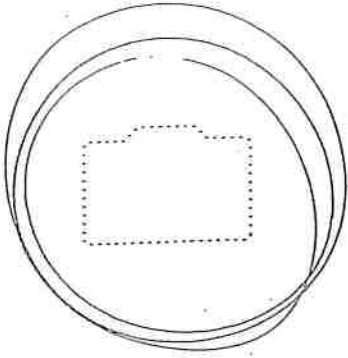


The George Bray Neighborhood YMCA is a proud RUSD community partner and co-sponsor of this event. Parent Academy events are made possible by Title I Parent & Family Engagement funds.



BE FIRST DAY READY

Go back to school with Box Tops and get a head start on earning for our school! Tape or paste your clipped Box Tops to this sheet and turn it into school when all the spaces are filled. Bonus Box Tops certificates must be turned in separately.



Thank you for helping! Box Tops are each worth 10¢ for our school. To learn more about Box Tops for Education, go to BTFE.com.



Racine Elementary Schools Breakfast Menu

September 2018

03

04

05

06

07

**Cinnamon Toast
Crunch Cereal
w/Cinnamon
Goldfish Graham**

Strawberry Craisins
Apple Juice

**Strawberry Pop Tart
w/Pretzel Goldfish**

Cinnamon Applesauce
Cup
Apple Juice

**Cinnamon Bun
Crunch Crackers**

Strawberry Craisins
Apple Juice

**Cocoa Puff Cereal
Bar w/Honey Bear
Grahams**

Cinnamon Applesauce
Cup
Apple Juice

10

11

12

13

14

**Blueberry Pop Tart
w/ Pretzel Goldfish**

Strawberry Craisins
Apple Juice

**Cinnamon Breakfast
Round**

Cinnamon Applesauce
Cup
Apple Juice

**Cocoa Krispies
Chewy Granola Bar
w/ Jungle Crackers**

Strawberry Craisins
Apple Juice

**Blueberry Muffin
w/ Honey Graham
Bears**

Cinnamon Applesauce
Cup
Apple Juice

**Chocolate Chip
Breakfast Round**

Cinnamon Applesauce
Cup
Apple Juice

17

18

19

20

21

**Lucky Charms
Cereal w/Cinnamon
Goldfish Graham**

Strawberry Craisins
Apple Juice

**Strawberry Pop Tart
w/ Pretzel Goldfish**

Cinnamon Applesauce
Cup
Apple Juice

**Cinnamon Bun
Crunch Crackers**

Strawberry Craisins
Apple Juice

**Cocoa Puff Cereal
Bar w/Honey Bear
Crackers**

Cinnamon Applesauce
Cup
Apple Juice

**Double Chocolate
Chip Muffin
w/ Pretzel Goldfish**

Cinnamon Applesauce
Cup
Apple Juice

24

25

26

27

28

**Cinnamon Breakfast
Round**

Cinnamon Applesauce
Cup
Apple Juice

**Cocoa Krispies
Chewy Granola Bar
w/ Jungle Crackers**

Strawberry Craisins
Apple Juice

**Fruity Cheerios
Cereal Bar w/ Honey
Graham Bear
Crackers**
Cinnamon Applesauce
Cup
Apple Juice

**Chocolate Chip
Breakfast Round**

Cinnamon Applesauce
Cup
Apple Juice

Served Daily

White Skim Milk
White 1% Milk
Chocolate Skim Milk

More info...

Welcome Back! Aramark is proud to be your new food service provider. Check out our new menus & get to know us better!



Racine Elementary Schools Lunch Menu

September 2018

03	04 Chicken Patty Sandwich Green Beans Apple Juice	05 Broccoli Cheddar Baked Potato w/Roll Diced Peaches	06 Beef Soft Tacos Kickin' Pinto Beans Apple Wedges	07 Hot Dog Baby Carrots Warm Cinnamon Apples
10 Hamburger Criss Cut French Fries Fresh Pear Half	11 Popcorn Chicken Potato Bowl w/ Dinner Roll Applesauce	12 Beef and Bean Burrito Celery Sticks Steamed Carrots Orange Juice Chocolate Graham Bears	13 Chicken Tenders w/ Cheez It Crackers Fresh Broccoli Baked Beans Apple Juice	14 Cheese Pizza Fresh Broccoli Fresh Cauliflower Mixed Fruit
17 Mini Corn Dogs Fresh Broccoli Baked Beans Orange Wedges	18 Chicken Soft Tacos Steamed Corn Apple Juice	19 Popcorn Chicken w/ Vegetable LoMein Fresh Baby Carrots Fresh Apple Half	20 Pizza Dippers w/ Marinara Sauce Marinara Sauce Green Beans Orange Wedges	21 Nacho Cheese Tater Bites w/Mini Pretzel Side Salad Diced Pears
24 Chicken Drumsticks w/ Dinner Roll Fresh Broccoli Campfire Beans Grape Juice	25 Macaroni and Cheese w/ Pretzel Goldfish Steamed Carrots Banana	26 Popcorn Chicken Potato Bowl w/Dinner Roll Fresh Apple Half	27 French Toast Sticks w/Syrup Sausage Patty Hash Brown Applesauce Dragon Juice	28

Served Daily
White Skim Milk
White 1% Milk
Chocolate Skim Milk

More info...
Welcome Back! Aramark is proud to be your new food service provider. Check out our new menus & get to know us better!



September 2018

Sunday	Monday	Tuesday	Wednesday	Thursday	Friday	Saturday
						1
2	3 Labor Day	4 1 st day of school Gr. K-5 4K Orientation 9:00 or 1:00 A-DAY	5 1 st day of school for 4K B-DAY	6 C-DAY	7 4K has classes Today A-DAY	8
9	10 B-DAY	11 C-DAY	12 A-DAY	13 B-DAY	14 C-DAY	15
16	17 YLA begins A-DAY	18 Gr. 4 to Root River Community Center B-DAY	19 Gr. 5 to Eco Justice Center C-DAY	20 A-DAY	21 B-DAY	22
23	24 C-DAY	25 A-DAY	26 B-DAY	27 PTA MEETING 6:00 P.m. C-DAY	28 NO SCHOOL For STUDENTS Professional Development	29
30						

